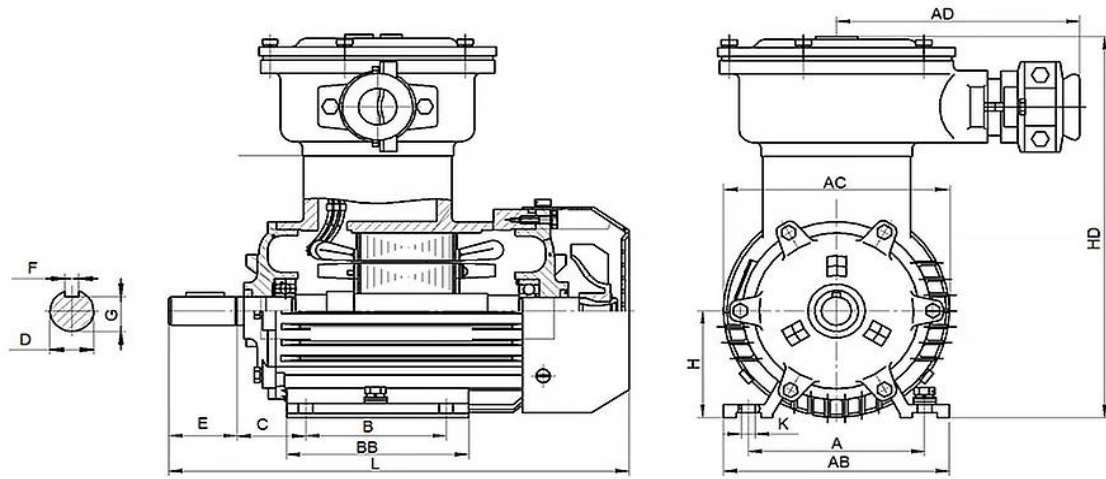


Монтажное исполнение - IM 1001/1081 (лапы)



| Тип      | Число полюсов | L    | AC  | HD   | H   | E   | D   | F  | G    | C   | B   | A   | K  | AB  | BB  | T   | AD  | Q     |
|----------|---------------|------|-----|------|-----|-----|-----|----|------|-----|-----|-----|----|-----|-----|-----|-----|-------|
| 1        | 2             | 3    | 4   | 5    | 6   | 7   | 8   | 9  | 10   | 11  | 12  | 13  | 14 | 15  | 16  | 17  | 18  | 19    |
| BA 63    | 2,4,6         | 270  | 130 | 240  | 63  | 30  | 14  | 5  | 11   | 40  | 80  | 100 | 7  | 135 |     | 3,5 | 165 | 45°   |
| BA 71    | 2,4,6,8       | 300  | 145 | 260  | 71  | 40  | 19  | 6  | 15,5 | 45  | 90  | 112 | 7  | 145 |     | 3,5 | 165 | 45°   |
| BA 80    | 2,4,6,8       | 330  | 155 | 300  | 80  | 50  | 22  | 6  | 18,5 | 50  | 100 | 125 | 10 | 160 | 130 | 3,5 | 175 | 45°   |
| BA 90    | 2,4,6,8       | 380  | 175 | 320  | 90  | 50  | 24  | 8  | 20   | 56  | 125 | 140 | 10 | 180 | 150 | 4   | 175 | 45°   |
| BA 100 S | 2,4           | 435  | 195 | 345  | 100 | 60  | 28  | 8  | 24   | 63  | 112 | 160 | 12 | 200 | 176 | 4   | 180 | 45°   |
| BA 100 L | 2,4,6,8       | 435  | 195 | 345  | 100 | 60  | 28  | 8  | 24   | 63  | 140 | 160 | 12 | 200 | 176 | 4   | 180 | 45°   |
| BA 112   | 2,4,6         | 495  | 220 | 360  | 112 | 80  | 32  | 10 | 27   | 70  | 140 | 190 | 12 | 240 | 200 | 4   | 195 | 45°   |
| BA 132 S | 2,4,6,8       | 481  | 260 | 426  | 132 | 80  | 38  | 10 | 33   | 89  | 140 | 216 | 12 | 280 | 190 | 5   | 185 | 45°   |
| BA 132 M | 2,4,6,8       | 506  | 260 | 426  | 132 | 80  | 38  | 10 | 33   | 89  | 178 | 216 | 12 | 280 | 240 | 5   | 185 | 45°   |
| BA 160 S | 2             | 640  | 313 | 480  | 160 | 110 | 42  | 12 | 37   | 108 | 178 | 254 | 15 | 324 | 260 | 5   | 240 | 45°   |
| BA 160 S | 4,6,8         | 640  | 313 | 480  | 160 | 110 | 48  | 14 | 42,5 | 108 | 178 | 254 | 15 | 324 | 260 | 5   | 240 | 45°   |
| BA 160 M | 2             | 680  | 313 | 480  | 160 | 110 | 42  | 12 | 37   | 108 | 210 | 254 | 15 | 324 | 300 | 5   | 240 | 45°   |
| BA 160 M | 4,6,8         | 680  | 313 | 480  | 160 | 110 | 48  | 14 | 42,5 | 108 | 210 | 254 | 15 | 324 | 300 | 5   | 240 | 45°   |
| BA 180 S | 2             | 730  | 360 | 540  | 180 | 110 | 48  | 14 | 42,5 | 121 | 203 | 279 | 15 | 350 | 310 | 5   | 240 | 45°   |
| BA 180 S | 4,6,8         | 730  | 360 | 540  | 180 | 110 | 55  | 16 | 49   | 121 | 203 | 279 | 15 | 350 | 310 | 5   | 240 | 45°   |
| BA 180 M | 2             | 750  | 360 | 540  | 180 | 110 | 48  | 14 | 42,5 | 121 | 241 | 279 | 15 | 350 | 350 | 5   | 240 | 45°   |
| BA 180 M | 4,6,8         | 750  | 360 | 540  | 180 | 110 | 55  | 16 | 49   | 121 | 241 | 279 | 15 | 350 | 350 | 5   | 240 | 45°   |
| BA 200 M | 2             | 805  | 393 | 574  | 200 | 110 | 55  | 16 | 49   | 133 | 267 | 318 | 19 | 390 | 366 | 5   | 250 | 45°   |
| BA 200 M | 4,6,8         | 835  | 393 | 574  | 200 | 140 | 60  | 18 | 53   | 133 | 267 | 318 | 19 | 390 | 366 | 5   | 250 | 45°   |
| BA 200 L | 2             | 805  | 393 | 574  | 200 | 110 | 55  | 16 | 49   | 133 | 305 | 318 | 19 | 390 | 366 | 5   | 250 | 22,5° |
| BA 200 L | 4,6,8         | 835  | 393 | 574  | 200 | 140 | 60  | 18 | 53   | 133 | 305 | 318 | 19 | 390 | 366 | 5   | 250 | 22,5° |
| BA 225 M | 2             | 845  | 440 | 620  | 225 | 110 | 55  | 16 | 49   | 149 | 311 | 356 | 19 | 430 | 380 | 5   | 250 | 22,5° |
| BA 225 M | 4,6,8         | 875  | 440 | 620  | 225 | 140 | 65  | 18 | 58   | 149 | 311 | 356 | 19 | 430 | 380 | 5   | 250 | 22,5° |
| BA 250 S | 2             | 945  | 494 | 690  | 250 | 140 | 65  | 18 | 58   | 168 | 311 | 406 | 24 | 490 | 420 | 5   | 275 | 22,5° |
| BA 250 S | 4,6,8         | 945  | 494 | 690  | 250 | 140 | 75  | 20 | 67,5 | 168 | 311 | 406 | 24 | 490 | 420 | 5   | 275 | 22,5° |
| BA 250 M | 2             | 945  | 494 | 690  | 250 | 140 | 65  | 18 | 58   | 168 | 349 | 406 | 24 | 490 | 420 | 5   | 275 | 22,5° |
| BA 250 M | 4,6,8         | 945  | 494 | 690  | 250 | 140 | 75  | 20 | 67,5 | 168 | 349 | 406 | 24 | 490 | 420 | 5   | 275 | 22,5° |
| BA 280 S | 2             | 1010 | 550 | 750  | 280 | 140 | 70  | 20 | 62,5 | 190 | 368 | 457 | 24 | 545 | 440 | 6   | 300 | 22,5° |
| BA 280 S | 4,6,8         | 1010 | 550 | 750  | 280 | 170 | 80  | 22 | 71   | 190 | 368 | 457 | 24 | 545 | 440 | 6   | 300 | 22,5° |
| BA 280 M | 2             | 1060 | 550 | 750  | 280 | 140 | 70  | 20 | 62,5 | 190 | 419 | 457 | 24 | 545 | 490 | 6   | 300 | 22,5° |
| BA 280 M | 4,6,8         | 1060 | 550 | 750  | 280 | 170 | 80  | 22 | 71   | 190 | 419 | 457 | 24 | 545 | 490 | 6   | 300 | 22,5° |
| BA 315 S | 2             | 1240 | 630 | 960  | 315 | 140 | 75  | 20 | 67,5 | 216 | 406 | 508 | 28 | 635 | 550 | 6   | 350 | 22,5° |
| BA 315 S | 4,6,8         | 1270 | 630 | 960  | 315 | 170 | 90  | 25 | 81   | 216 | 406 | 508 | 28 | 635 | 550 | 6   | 350 | 22,5° |
| BA 315 M | 2             | 1305 | 630 | 960  | 315 | 140 | 75  | 20 | 67,5 | 216 | 457 | 508 | 28 | 635 | 780 | 6   | 350 | 22,5° |
| BA 315 M | 4,6,8         | 1380 | 630 | 960  | 315 | 170 | 90  | 25 | 81   | 216 | 457 | 508 | 28 | 635 | 780 | 6   | 350 | 22,5° |
| BA 355 S | 2             | 1535 | 710 | 1080 | 355 | 170 | 85  | 22 | 76   | 254 | 500 | 610 | 28 | 740 |     | 6   | 350 | 22,5° |
| BA 355 S | 4,6,8         | 1605 | 710 | 1080 | 355 | 210 | 100 | 28 | 90   | 254 | 500 | 610 | 28 | 740 |     | 6   | 350 | 22,5° |
| BA 355 M | 2             | 1645 | 710 | 1080 | 355 | 170 | 85  | 22 | 76   | 254 | 560 | 610 | 28 | 740 |     | 6   | 350 | 22,5° |
| BA 355 M | 4,6,8         | 1715 | 710 | 1080 | 355 | 210 | 100 | 28 | 90   | 254 | 560 | 610 | 28 | 740 |     | 6   | 350 | 22,5° |

\*- габаритные и установочные размеры двигателей могут быть изменены производителем без дополнительного уведомления.